



Panel Track Systems INSTALLATION INSTRUCTIONS



MAXXMAR WINDOW FASHIONS

150 Bator Road, Toronto, Ontario M9M 1H1

Tel: 416-742-6299 - Toll Free: 1-866-916-6299 - Fax: 416-742-1772

www.maxxmar.com



⚠️ WARNING STRANGULATION HAZARD

Young children can be strangled by cords. Immediately remove this product if a cord longer than 22 cm or a loop exceeding 44 cm around becomes accessible.

⚠️ MISE EN GARDE RISQUE D'ÉTRANGLEMENT

Les enfants en bas âge peuvent s'étrangler avec des cordes. Enlevez immédiatement ce produit si une corde mesurant plus de 22 cm devient accessible ou si le contour d'une boucle de plus de 44 cm devient accessible.

Getting Started

A few simple tools are required:

- Measuring tape
- Power drill, drill bits (1/16") and/or screw drivers
- Phillips driver bit
- Pencil
- Level



Additional fasteners other than those sent with your shade may be required depending on the mounting surface.

Wallboard and plaster require the use of anchors such as expansion toggle bolts.

Brick, tile or stone need special plugs and drill bits.

Remember to always pre-drill holes in wood to avoid splitting.

Bracket Installation

Shades are shipped with the required number of brackets for proper installation.

End brackets should be located approximately 3" from either end.

Depending on the width of the shade, additional brackets may be necessary, evenly spaced between the two end brackets.

Using the installation bracket as a template, measure to the edge of the bracket and mark the hole locations with a pencil for drilling.

Brackets must be in line and level. Shim brackets on inside mounts if necessary. The head rail must be level for the shade to operate properly.

Shade Width	# of Brackets
Up to 40"	2
40"- 72"	3
72"- 84"	4
84" and up	5



Make Sure Mounting Surface is Level

Installation instructions apply to these headrail styles:



Two Channel



Three Channel



Four Channel

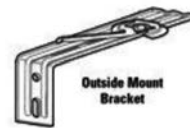


Five Channel

For Outside Mount: go to page 3.

For Inside Mount: go to page 4.

Instructions for Outside Mount



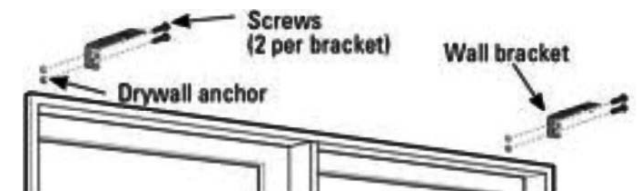
Mark the bracket locations

- Position one bracket at each end of the track: 4" in from the ends.
- Space any remaining brackets evenly: not more than 48" apart.
- Mark the bracket mounting hole locations at the desired height. Ensure they are level and square. Allow at least 1/2" clearance for panels above the floor or sill.



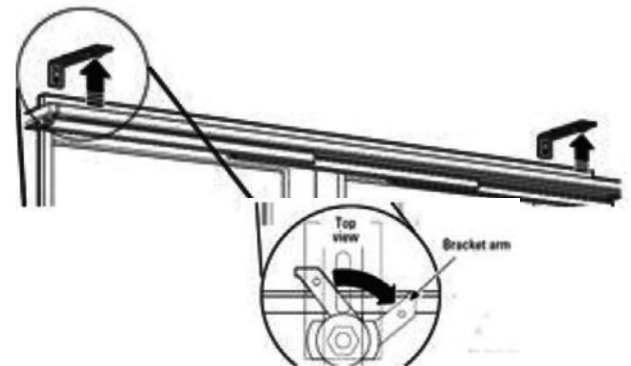
Install the brackets

- Use included screws and any needed fasteners or wall anchors.
- Locate the bracket mounting hole locations marked as per step above and attach the brackets using two screws per bracket.



Attach the headrail

- **Two people are recommended for headrail installation for wide windows or sliding glass doors.**
- Position the bracket arms as show in illustration to the right and ensure that the hook and loop strips on the panel carriers are facing out, then fit the tabs into the channel on the top of the headrail. You may need to turn the bracket arm slightly to line up the tabs with the channel.
- Turn the bracket arm until the tabs lock the headrail to the bracket.



Attach the panels

- Unpackage the panels.
- Ensure that the carriers are traversed across the entire headrail.
- You will install one panel at a time, working from back to front.
- Unroll a panel so that the hook and loop strip at the top of the panel are exposed.
- Attach the panel hook and loop strip on the backmost carrier. Start at one end pressing the strips together.
- Repeat the above for the remaining panels.



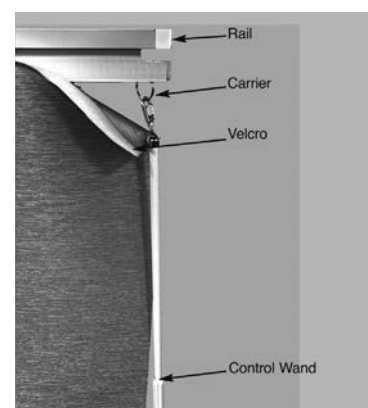
To remove panels

- Grasp the top corner of the panel at the hook and loop strip and gently pull away from the carrier.
- Note: do not pull the fabric only as this may stretch or damage the panel at the hoop and loop attachment.



Wand instructions

- Hold the wand parallel to the ground and attach the hook to the slotted tab on the wand attachment panel that you have chosen.
- Rotate the hook down so that the wand is hanging from the bottom of the slotted tab.



Instructions for Inside Mount

Mark the bracket locations

- Position one bracket at each end of the track: 4" in from the ends.
- Space any remaining brackets evenly: not more than 48" apart.
- Mark the locations of the brackets making sure that there is a straight line that is parallel to the wall.
- **To determine the correct distance from the wall or window:** position the center of the brackets a minimum 2 1/4" in front of the window frame or any other protruding trim or handles.

Install the brackets

- Use included screws.
- Locate the marked locations of the brackets from the stop above and attach the brackets accordingly using 1 screw per bracket.

Attach the headrail

- **Two people are recommended for headrail installation for wide windows or sliding glass doors.**
- For models using a valance: install the valance clips before attaching the valance to the headrail.
- Position the bracket arms as show in illustration to the right and ensure that the hook and loop strips on the panel carriers are facing out, then fit the tabs into the channel on the top of the headrail. You may need to turn the bracket arm slightly to line up the tabs with the channel.
- Turn the bracket arm until the tabs lock the headrail to the bracket.

Attach the panels

- Unpackage the panels.
- Ensure that the carriers are traversed across the entire headrail.
- You will install one panel at a time, working from back to front.
- Unroll a panel so that the hook and loop strip at the top of the panel are exposed.
- Attach the panel hook and loop strip on the backmost carrier. Start at one end pressing the strips together.
- Repeat the above for the remaining panels.

To remove panels

- Grasp the top corner of the panel at the hook and loop strip and gently pull away from the carrier.
- Note: do not pull the fabric only as this may stretch or damage the panel at the hoop and loop attachment.

Wand instructions

- Hold the wand parallel to the ground and attach the hook to the slotted tab on the wand attachment panel that you have chosen.
- Rotate the hook down so that the wand is hanging from the bottom of the slotted tab.

