



**CELLULAR SKYLIGHT
FRAMED SHAPES
INSTALLATION INSTRUCTIONS**

CHILD SAFE



MAXXMAR WINDOW FASHIONS

150 Bartor Road, Toronto, Ontario M9M 1H1

Tel: 416-742-6299 - Toll Free: 1-866-916-6299 - Fax: 416-742-1772

www.maxxmar.com



⚠️ WARNING STRANGULATION HAZARD

Young children can be strangled by cords. Immediately remove this product if a cord longer than 22 cm or a loop exceeding 44 cm around becomes accessible.

⚠️ MISE EN GARDE RISQUE D'ÉTRANGLEMENT

Les enfants en bas âge peuvent s'étrangler avec des cordes. Enlevez immédiatement ce produit si une corde mesurant plus de 22 cm devient accessible ou si le contour d'une boucle de plus de 44 cm devient accessible.

Getting Started

A few simple tools are required:

- Power drill, drill bits (1/16") and/or screw drivers

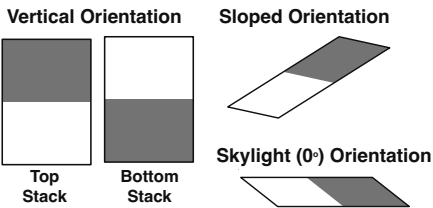


Additional fasteners other than those sent with your shade may be required depending on the mounting surface. Wallboard and plaster require the use of anchors such as expansion toggle bolts. Brick, tile or stone need special plugs and drill bits.

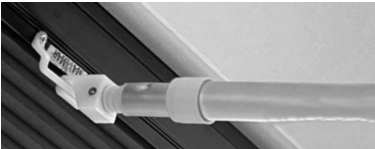
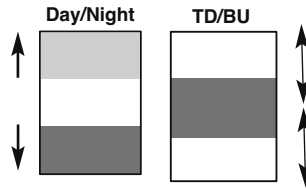
Cellular Skylight Framed Shades - Overview

The 4 sided fully enclosed light-weight frame keeps the cellular shade enclosed and under tension at all times. The shade is operated manually, using a handle. An extension pole is available to operate shades in difficult to reach locations.

REGULAR/STANDARD OPERATION

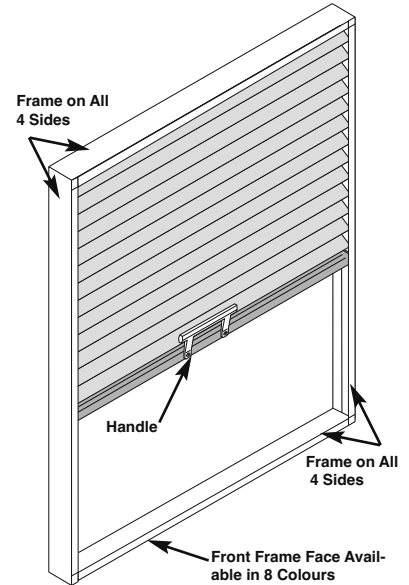


DAY/NIGHT & TD/BU OPERATIONS



Optional telescopic extension pole.

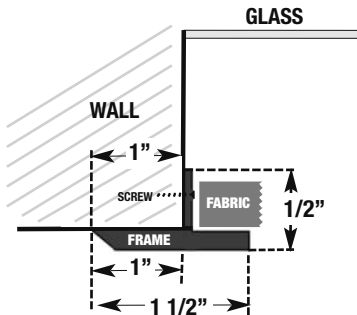
IMPORTANT NOTICE
Cellular Skylight Framed Shades are not meant to be in a closed position for a prolonged period of time. Skylight shades require occasional air circulation. Due to the insulating nature of cellular shades, heat build-up may occur which needs to be released on a regular basis.



3 OPTIONS FOR CELLULAR SKYLIGHT INSTALLATIONS

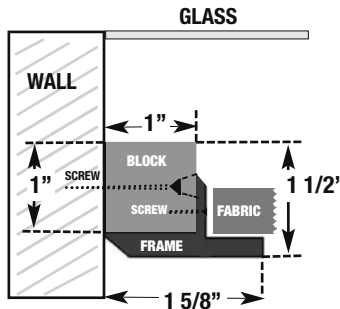
SKYLIGHT OPTION 1

Inside Mount with Lip
(No Block)



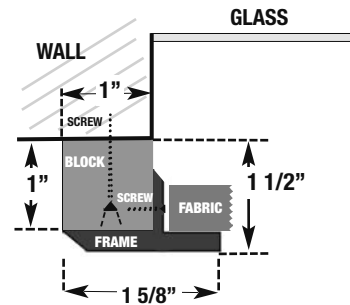
SKYLIGHT OPTION 2

Recessed Inside Mount
(with 1" x 1" Block)



SKYLIGHT OPTION 3

Face/Outside Mount
(with 1" x 1" Block)



Cellular Skylight Installation Instructions - WITH NO BLOCK

GLASS

WALL

1. SCREW BF FRAME PROFILE DIRECTLY INTO THE WALL

FRAME

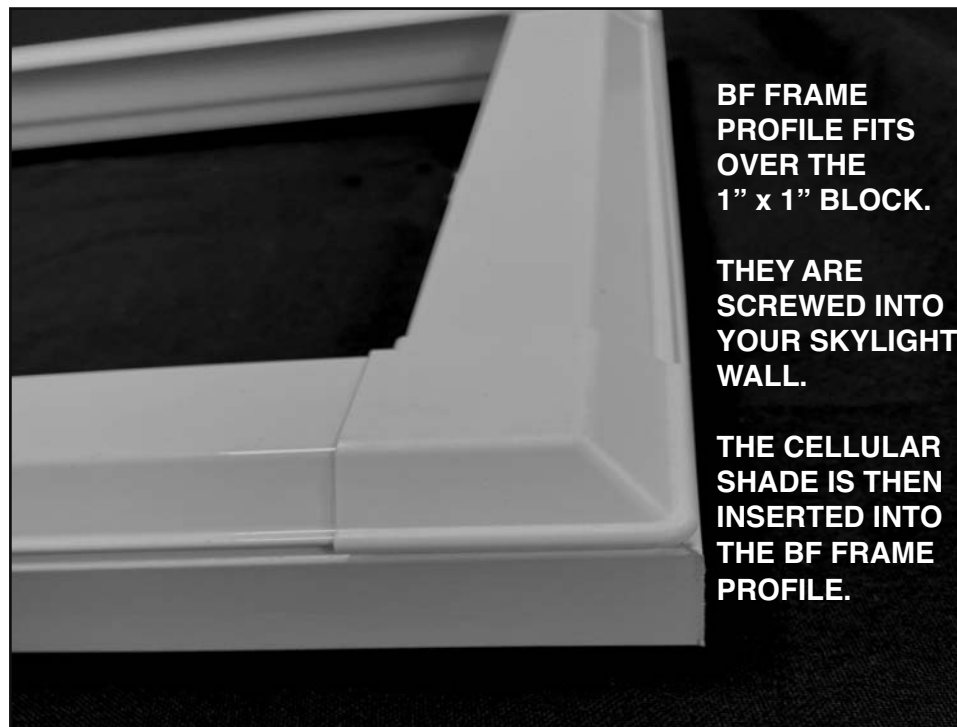
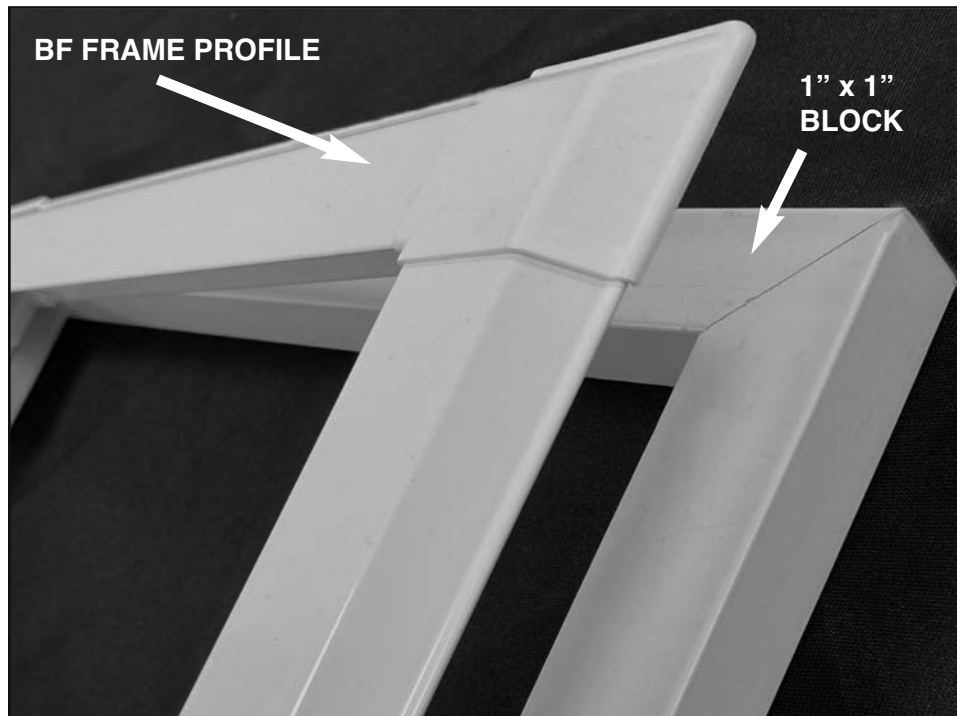
SKYLIGHT OPTION 1

Inside Mount with Lip (No Block)

CAUTION:

When installing cellular skylights do not over-tighten installation screws as this may result in operational issues (Frame & Fabric).

Cellular Skylight Installation Instructions Using 1" x 1" Block - Overview



Cellular Skylight Installation Instructions - WITH 1" x 1" BLOCK

GLASS

WALL

SKYLIGHT OPTION 2A
Recessed Inside Mount
(with 1" x 1" Block)

1. SCREW 1" x 1" BLOCK TO THE WALL

2. SCREW BF FRAME PROFILE INTO BLOCK

CAUTION:
When installing cellular skylights do not over-tighten installation screws as this may result in operational issues (Frame & Fabric).

GLASS

WALL

SKYLIGHT OPTION 2B
Recessed Inside Mount
(with 1" x 1" Block)

1. USING ONE SCREW: SCREW THE BF FRAME PROFILE AND THE 1" X 1" BLOCK TOGETHER INTO THE WALL

CAUTION:
When installing cellular skylights do not over-tighten installation screws as this may result in operational issues (Frame & Fabric).

GLASS

WALL

SKYLIGHT OPTION 3
Face/Outside Mount
(with 1" x 1" Block)

1. SCREW 1" x 1" BLOCK TO THE WALL

2. SCREW BF FRAME PROFILE INTO BLOCK

CAUTION:
When installing cellular skylights do not over-tighten installation screws as this may result in operational issues (Frame & Fabric).